

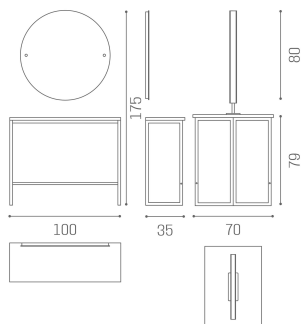
Salon Ambience

100% MADE IN ITALY   



OBERFLÄCHEN IM FOTO: VINTAGE 01

Le immagini sono fornite al solo scopo illustrativo e non costituiscono elemento contrattuale



London: Friseurspiegel

The London mirror consists of an anthracite metal structure and a melamine top available in different finishes, for an extremely contemporary industrial style. The London is available in both wall mirror and island unit versions. On top of that, the London comes with either round or rectangular mirrors, for either classic or minimal look.

Alle Salon Ambience-Spiegel werden mit einer bequemen Fußstütze geliefert

24W - 1800 Lumen - Kelvin 4000

neutralweißes Licht

ARTICOLI

MI/540 London wall unit with round mirror and LED lighting

MI/542 London island wall unit with round mirror

ABMESSUNGEN




Painted metal structure

Mirror with safety film

Footrest in stainless steel

Top in melamine available in the following materials:

Salon Ambience

100% MADE IN ITALY   

Via Lazzaretti 12 - 42122 - Reggio Emilia - Italy

Salon Ambience Italia - +39 0522 276740

International Sales - +39 0522 276755

Numero verde - 800 144552

Fax - +39 0522 276767

E-mail: info@salonambience.com

<https://www.facebook.com/salonambiencegroup>

<https://www.instagram.com/salonambiencegroup/>

https://www.youtube.com/channel/UCqTdWM-4_65Tr0Jul82kSCQ