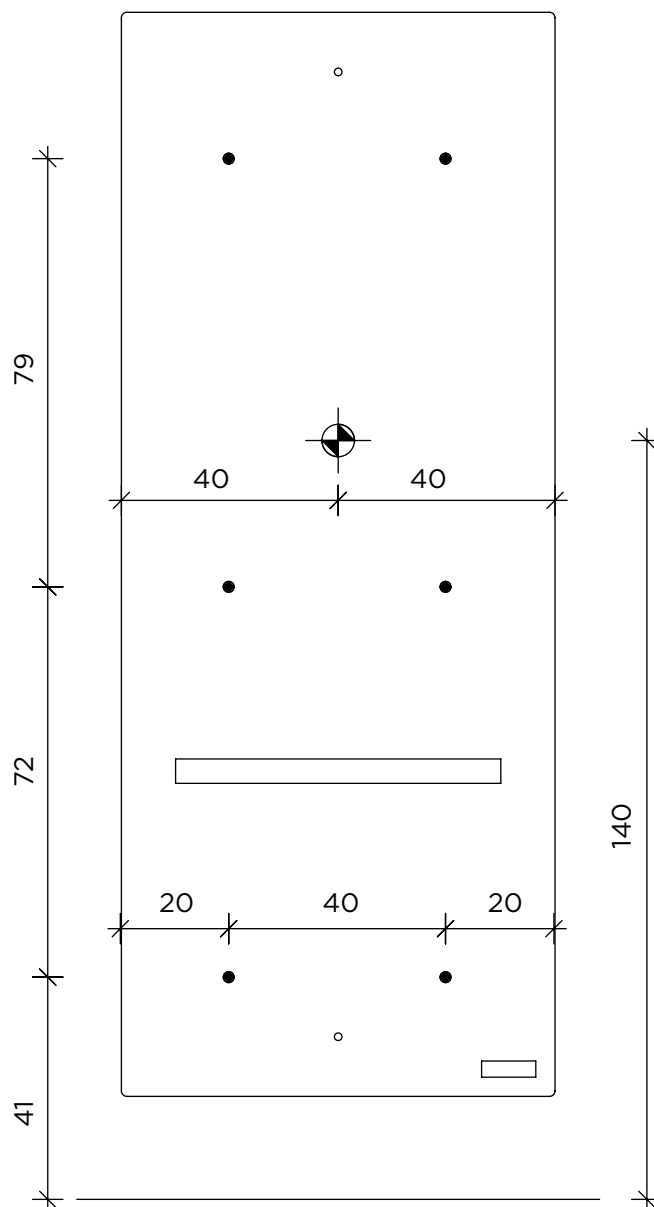
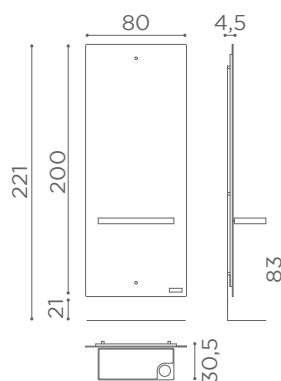


● Fissaggio a parete / Wall fixing  
⊗ 220-240VAC 50/60Hz 30W



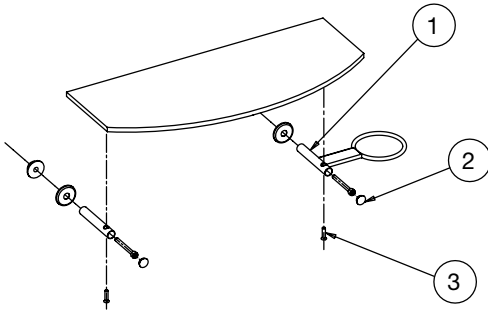
MI/440





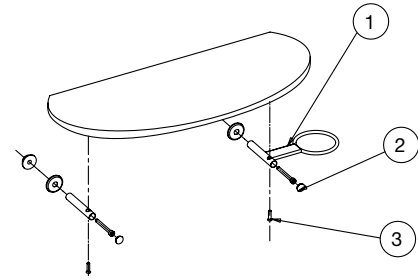
# Shelves

Salon Ambience  
100% MADE IN ITALY



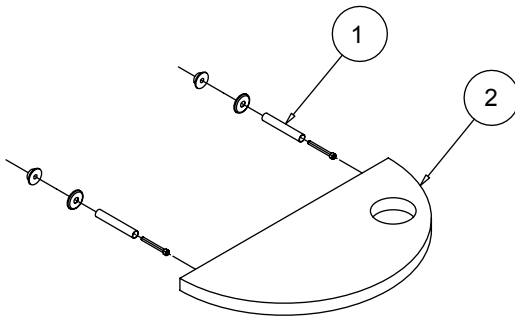
GLASS -01

|              |        |
|--------------|--------|
| LYON         | MI/050 |
| LYON ISLAND  | MI/052 |
| LUNAR        | MI/370 |
| LUNAR ISLAND | MI/372 |
| SPACE        | MI/440 |



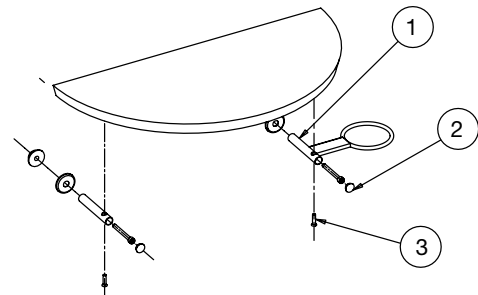
BLACK  
GLASS -02

|               |        |
|---------------|--------|
| LYON          | MI/050 |
| LYON ISLAND   | MI/052 |
| LUNAR         | MI/370 |
| LUNAR ISLAND  | MI/372 |
| SPACE         | MI/440 |
| PLANET        | MI/490 |
| PLANET ISLAND | MI/500 |



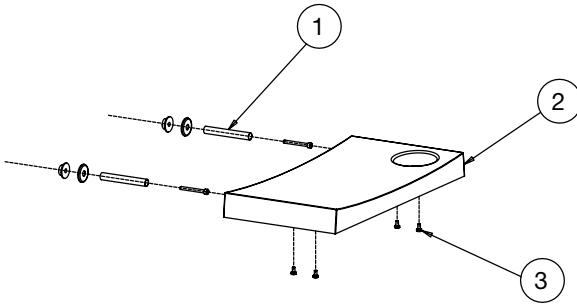
WOOD -03

|                |        |
|----------------|--------|
| ECLIPSE        | MI/630 |
| PLANET         | MI/490 |
| PLANET ISLAND  | MI/500 |
| MERCURY        | MI/590 |
| MERCURY ISLAND | MI/600 |



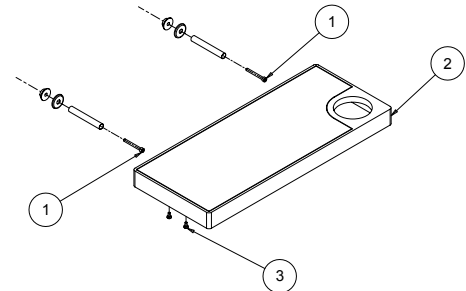
ROUND  
ALUMINIUM -05

|                |        |
|----------------|--------|
| LYON           | MI/050 |
| LYON ISLAND    | MI/052 |
| LUNAR          | MI/370 |
| LUNAR ISLAND   | MI/372 |
| SPACE          | MI/440 |
| PLANET         | MI/490 |
| PLANET ISLAND  | MI/500 |
| MERCURY        | MI/590 |
| MERCURY ISLAND | MI/600 |



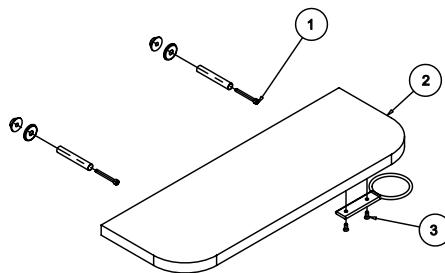
ALUMINIUM -06

|              |        |
|--------------|--------|
| LYON         | MI/050 |
| LYON ISLAND  | MI/052 |
| LUNAR        | MI/370 |
| LUNAR ISLAND | MI/372 |
| SPACE        | MI/440 |



ALUMINIUM  
+ MIRROR -07

|              |        |
|--------------|--------|
| LYON         | MI/050 |
| LYON ISLAND  | MI/052 |
| LUNAR        | MI/370 |
| LUNAR ISLAND | MI/372 |
| SPACE        | MI/440 |



VINTAGE  
WOOD -09

|                 |        |
|-----------------|--------|
| NEW YORK        | MI/510 |
| NEW YORK ISLAND | MI/512 |