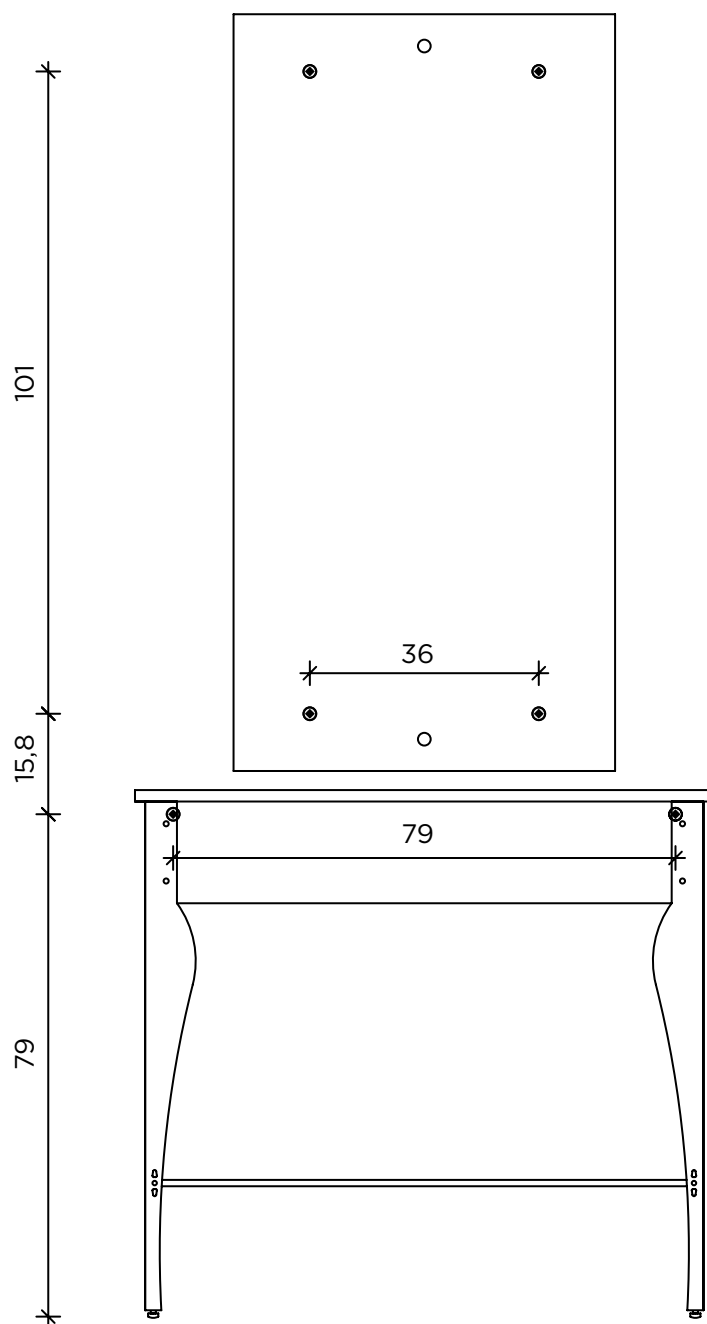
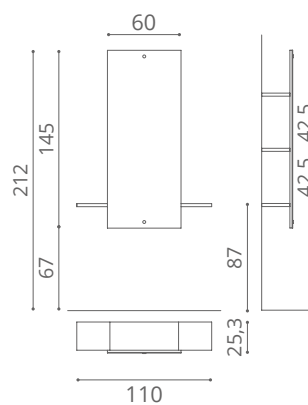
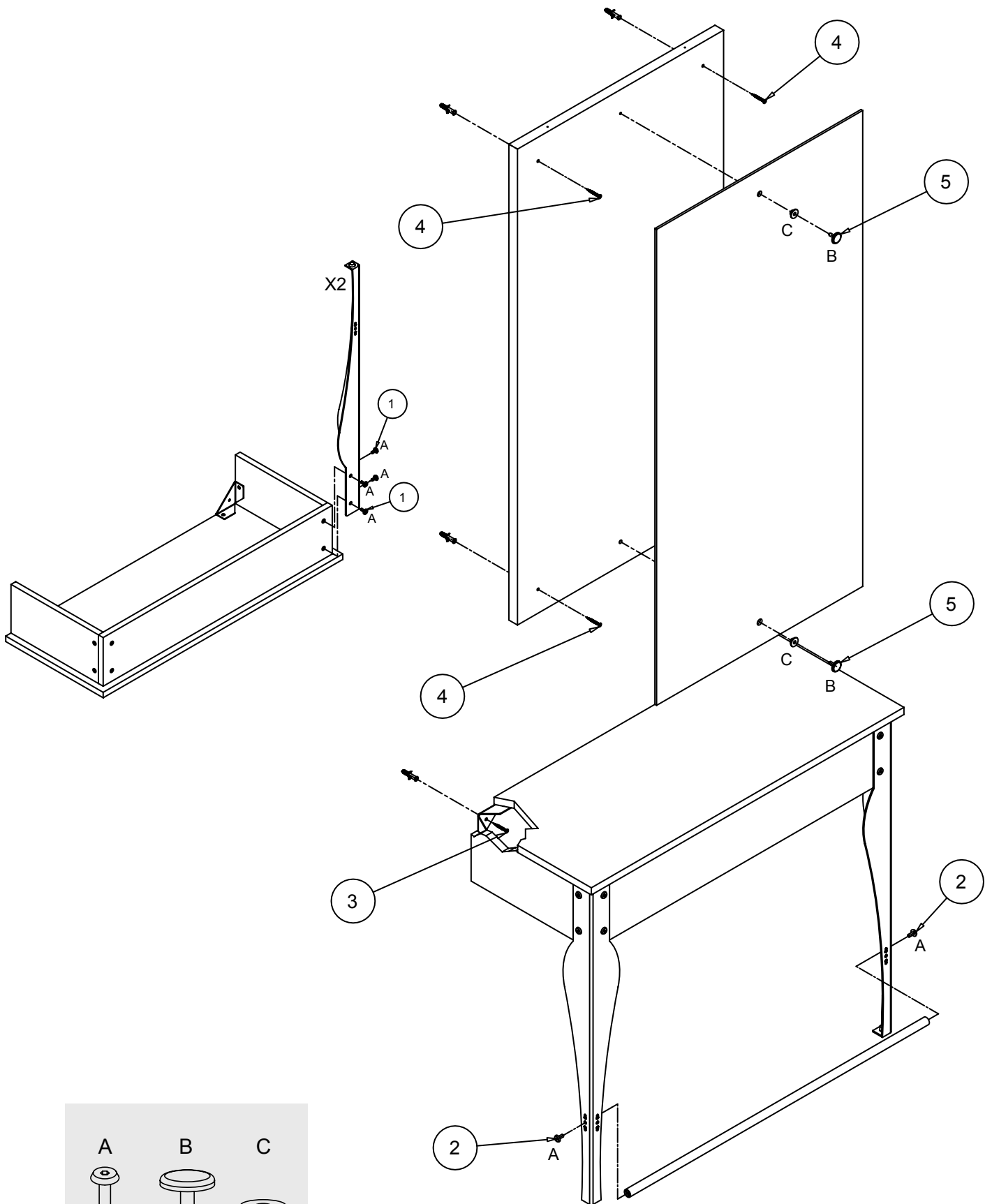


- Fissaggio a parete / Wall fixing



MI/610





| A | B | C |
|-----|----|----|
| | | |
| X10 | X2 | X2 |

