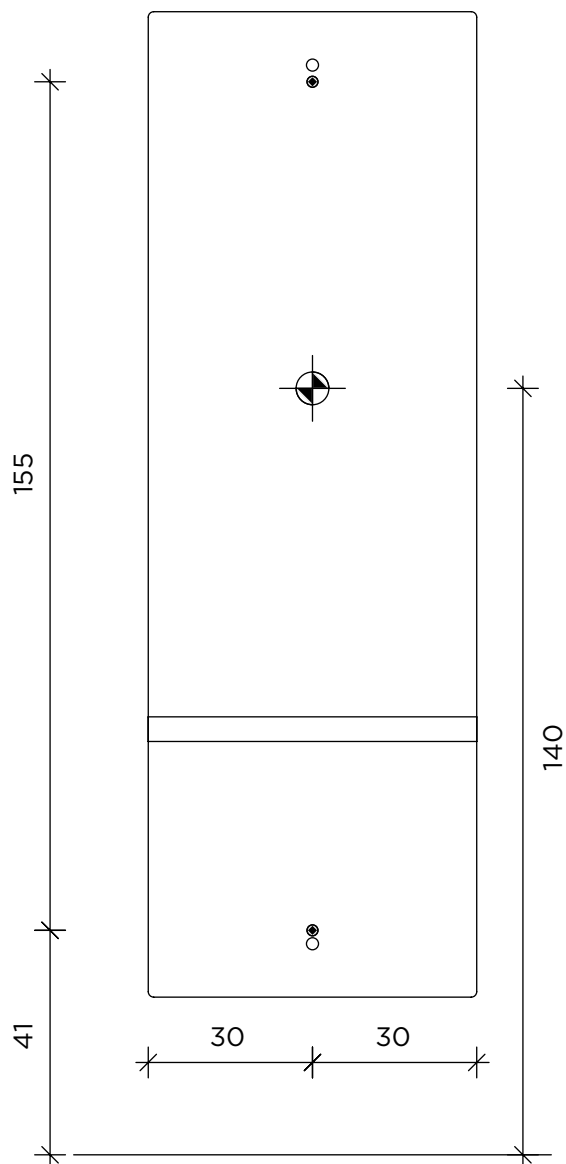
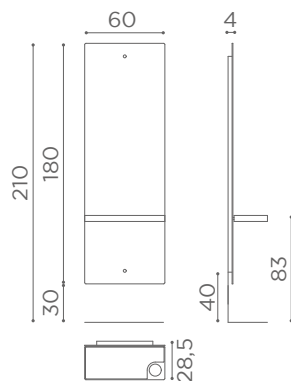
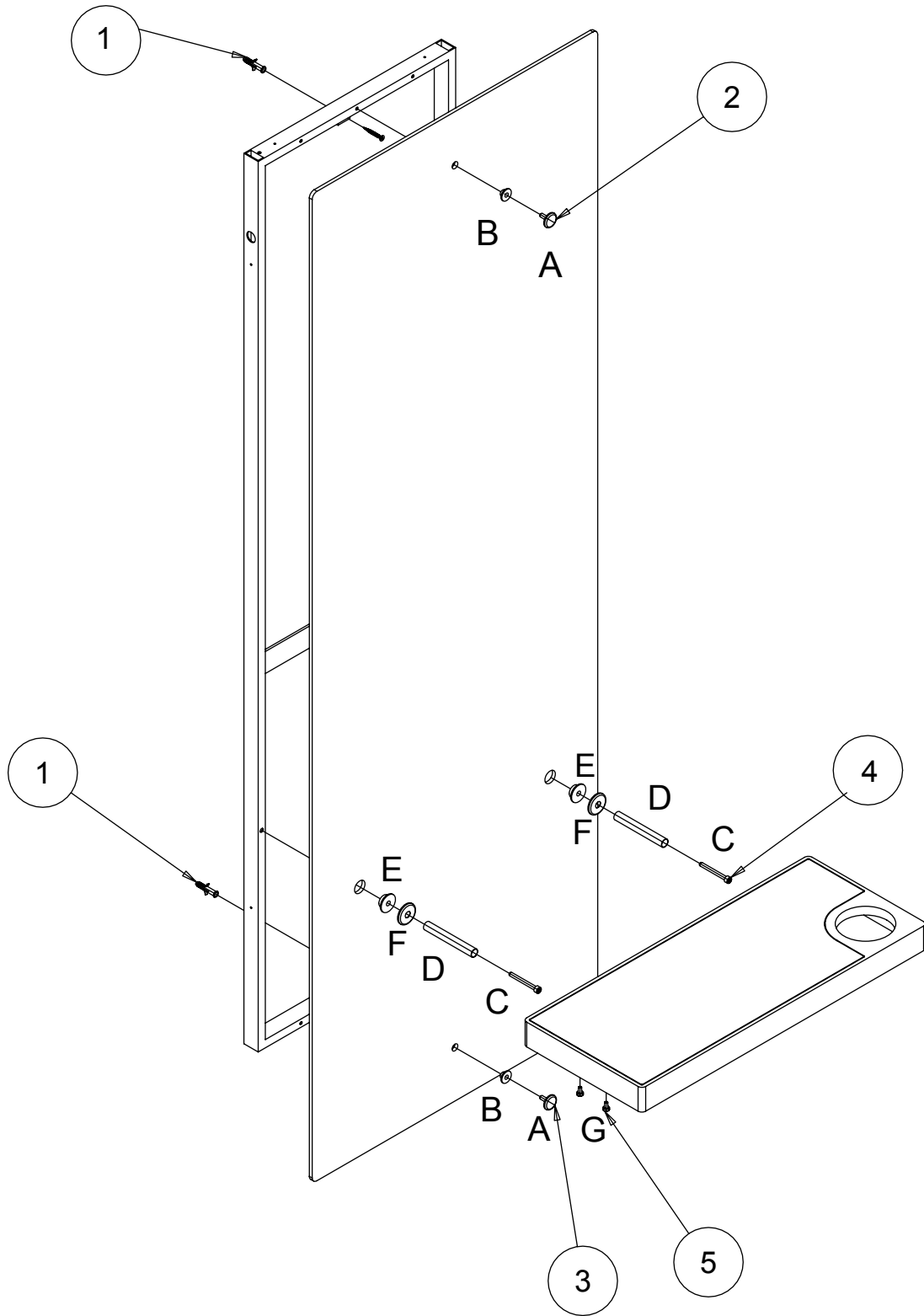









● Fissaggio a parete / Wall fixing
⊕ 220-240VAC 50/60Hz 36W



MI/370

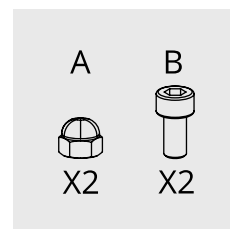
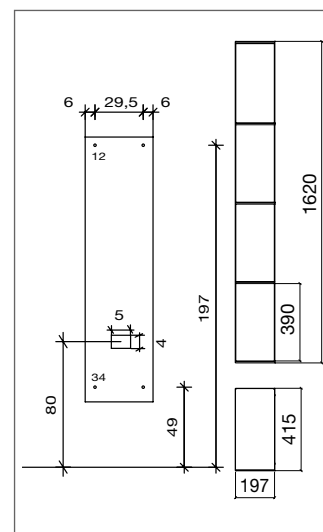
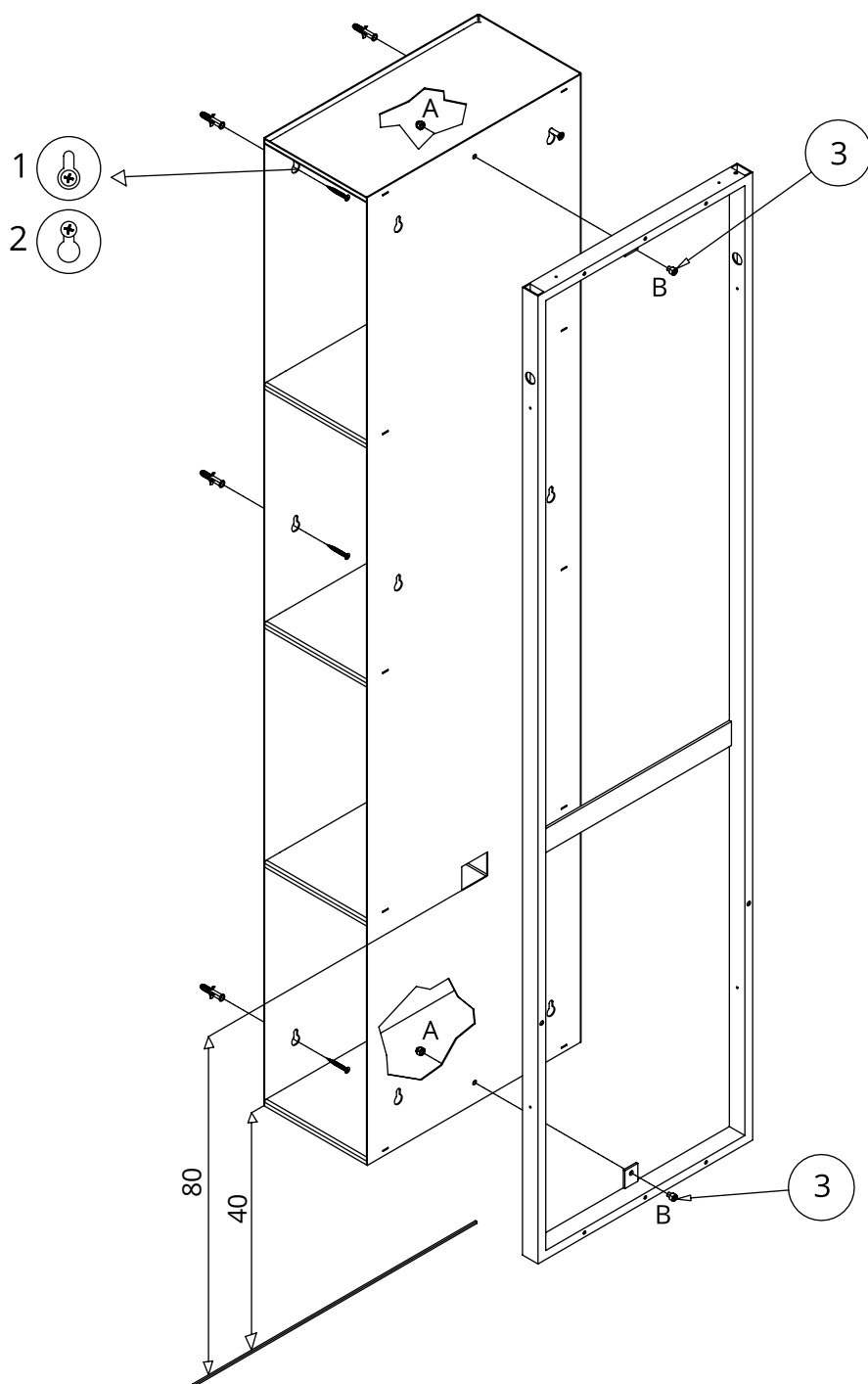




A	B	C	D	E	F	G
						
X2	X2	X2	X2	X2	X2	X4

Server

Salon Ambience
100% MADE IN ITALY



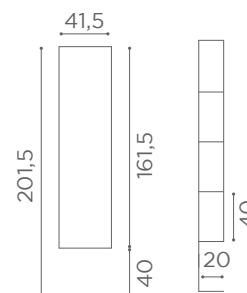
Server ST/033



Lyon MI/050



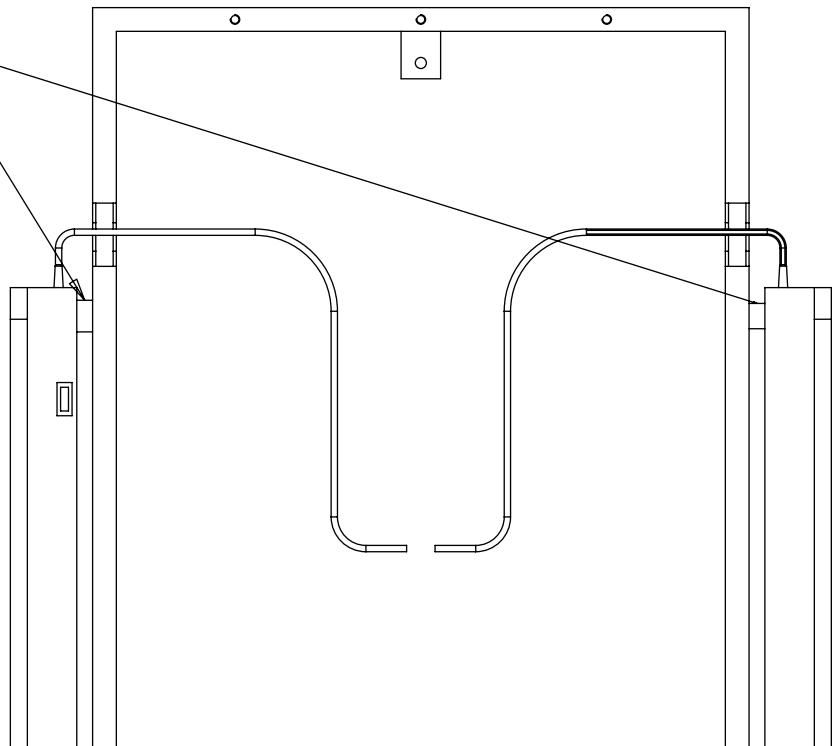
Lunar MI/370



SCHEMA FISSAGGIO LED ASSEMBLY INSTRUCTIONS, LED LIGHT

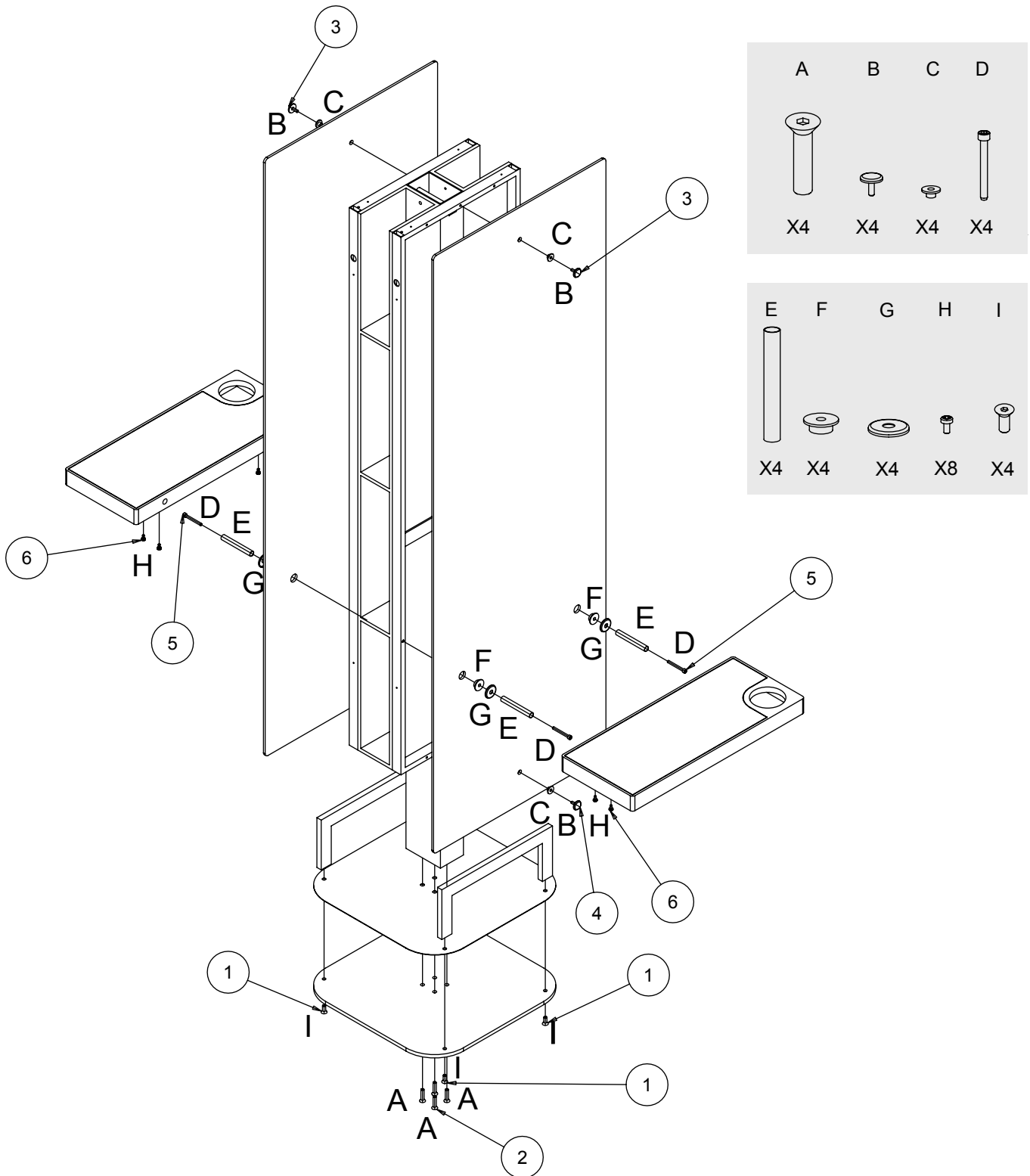
BIADESIVO

DOUBLE-SIDED
TAPE

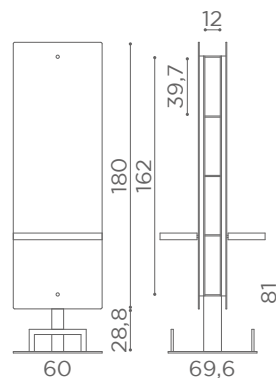


Lunar Island

Salon Ambience
100% MADE IN ITALY

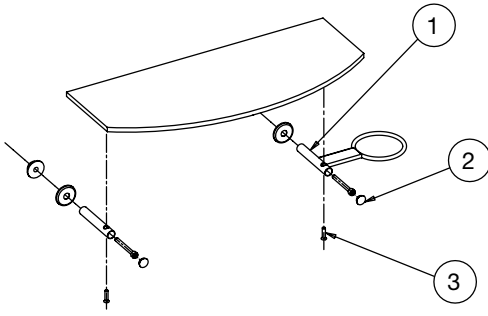


MI/372



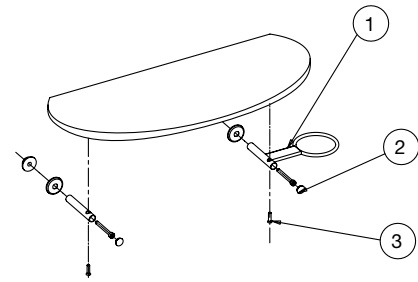
Shelves

Salon Ambience
100% MADE IN ITALY



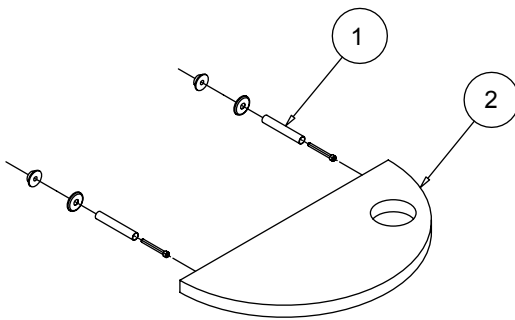
GLASS -01

LYON	MI/050
LYON ISLAND	MI/052
LUNAR	MI/370
LUNAR ISLAND	MI/372
SPACE	MI/440



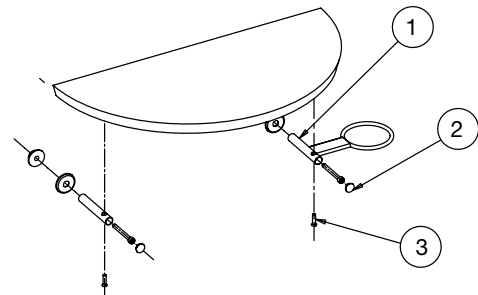
BLACK GLASS -02

LYON	MI/050
LYON ISLAND	MI/052
LUNAR	MI/370
LUNAR ISLAND	MI/372
SPACE	MI/440
PLANET	MI/490
PLANET ISLAND	MI/500



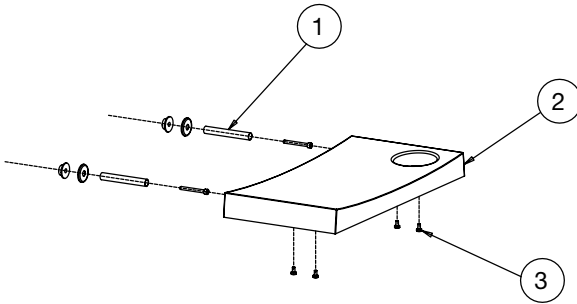
WOOD -03

ECLIPSE	MI/630
PLANET	MI/490
PLANET ISLAND	MI/500
MERCURY	MI/590
MERCURY ISLAND	MI/600



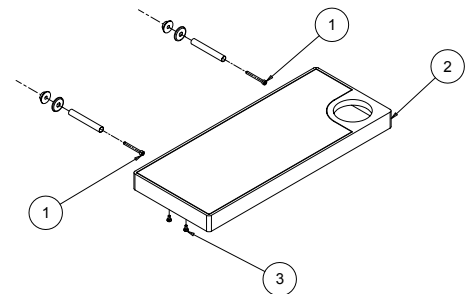
ROUND ALUMINIUM -05

LYON	MI/050
LYON ISLAND	MI/052
LUNAR	MI/370
LUNAR ISLAND	MI/372
SPACE	MI/440
PLANET	MI/490
PLANET ISLAND	MI/500
MERCURY	MI/590
MERCURY ISLAND	MI/600



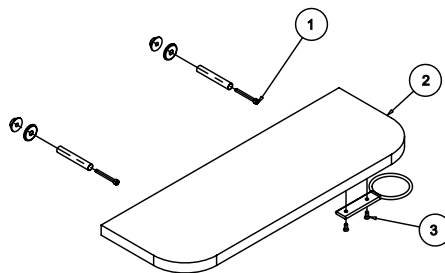
ALUMINIUM -06

LYON	MI/050
LYON ISLAND	MI/052
LUNAR	MI/370
LUNAR ISLAND	MI/372
SPACE	MI/440



ALUMINIUM + MIRROR -07

LYON	MI/050
LYON ISLAND	MI/052
LUNAR	MI/370
LUNAR ISLAND	MI/372
SPACE	MI/440



VINTAGE WOOD -09

NEW YORK	MI/510
NEW YORK ISLAND	MI/512